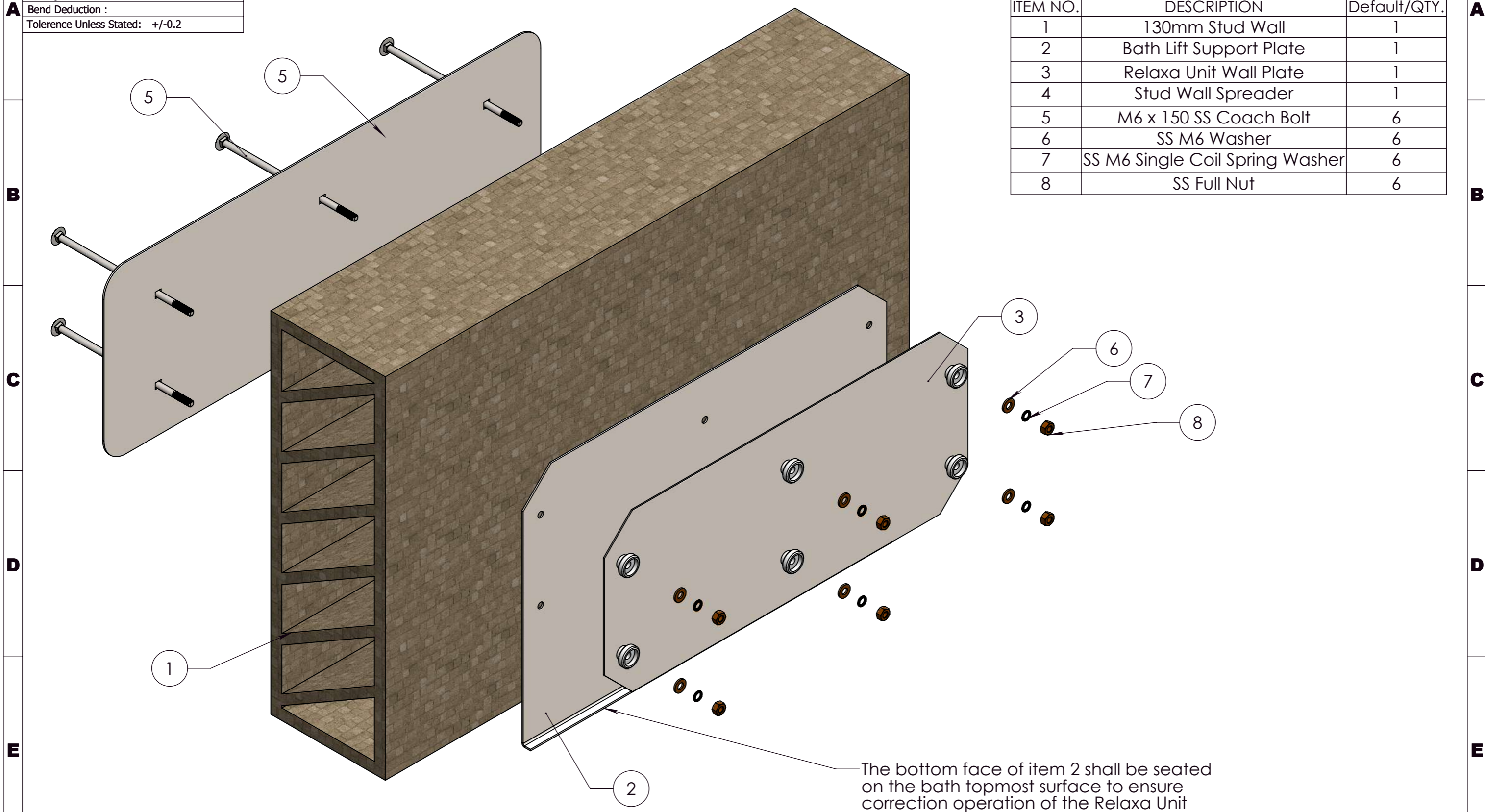


Material : SEE BOM
Paint : NA
Plating : NA
Bend Deduction :
Tolerance Unless Stated: +/-0.2

ADDRESS ANY QUERIES TO DRAWING OFFICE. MULTIPLE SHEET DRAWINGS SHALL BE TREATED AS ONE DRAWING.
APPROVED DRAWINGS SHALL ONLY BE VALID IF ALL SHEETS ARE PRINTED.

ITEM NO.	DESCRIPTION	Default/QTY.
1	130mm Stud Wall	1
2	Bath Lift Support Plate	1
3	Relaxa Unit Wall Plate	1
4	Stud Wall Spreader	1
5	M6 x 150 SS Coach Bolt	6
6	SS M6 Washer	6
7	SS M6 Single Coil Spring Washer	6
8	SS Full Nut	6



The bottom face of item 2 shall be seated on the bath topmost surface to ensure correction operation of the Relaxa Unit

REV	DRAWN Date	CHK'D Date	APPR'D Date	DESCRIPTION
A	NxR 17/02/2020		NxR 17/02/2020	

THIS DOCUMENT IS THE PROPERTY OF RELAXA MOBILITY LTD
AND MUST NOT BE COPIED NOR DISCLOSED TO A THIRD PARTY
WITHOUT THE CONSENT OF RELAXA MOBILITY LTD



Relaxa REF: -

CUSTOMER REF:

DESCRIPTION:
Relaxa Stud Wall Mounting Details



Scale
NTS

DRAWING NUMBER:REL-BL-SW-MTG

Drawn By:
N.Ray

Revision
A

Current Approval :
NxR

Date Drawn:
17/02/2020

Sheet
1 OF 2

17/02/2020

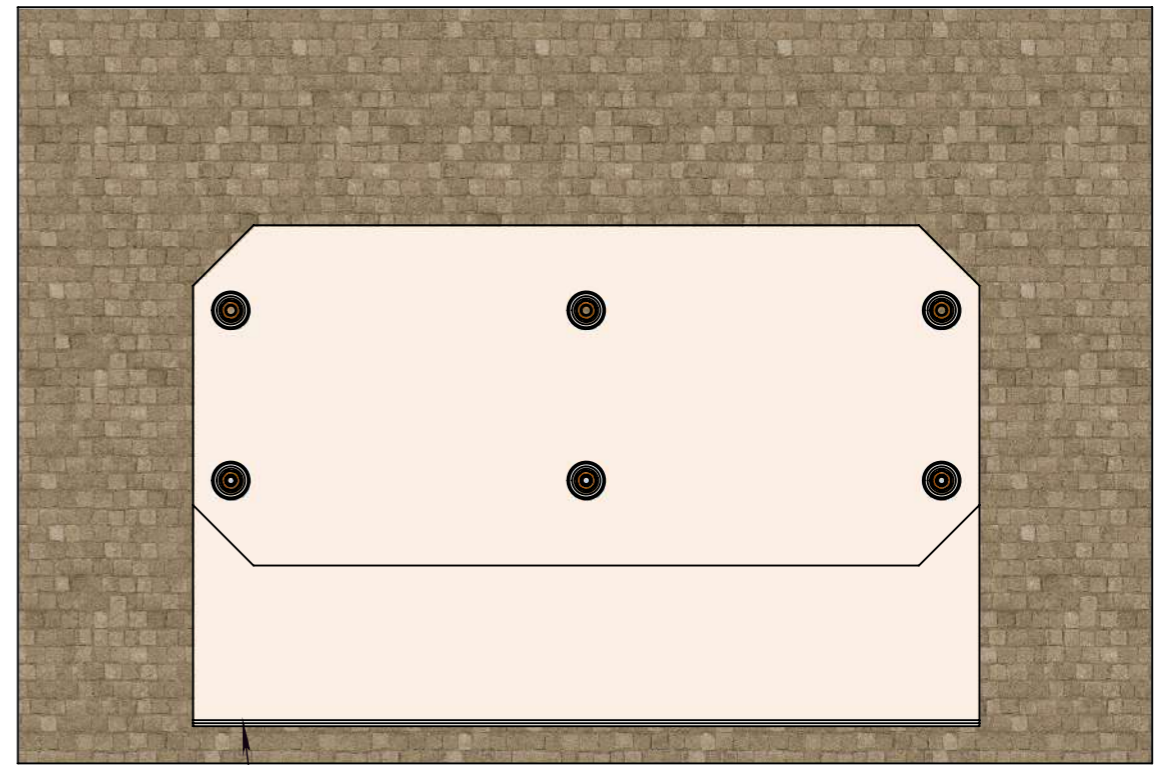
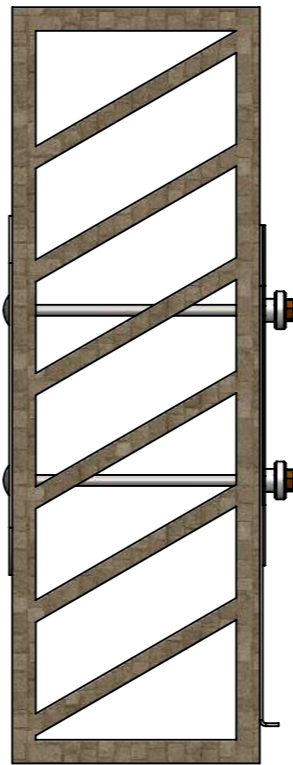
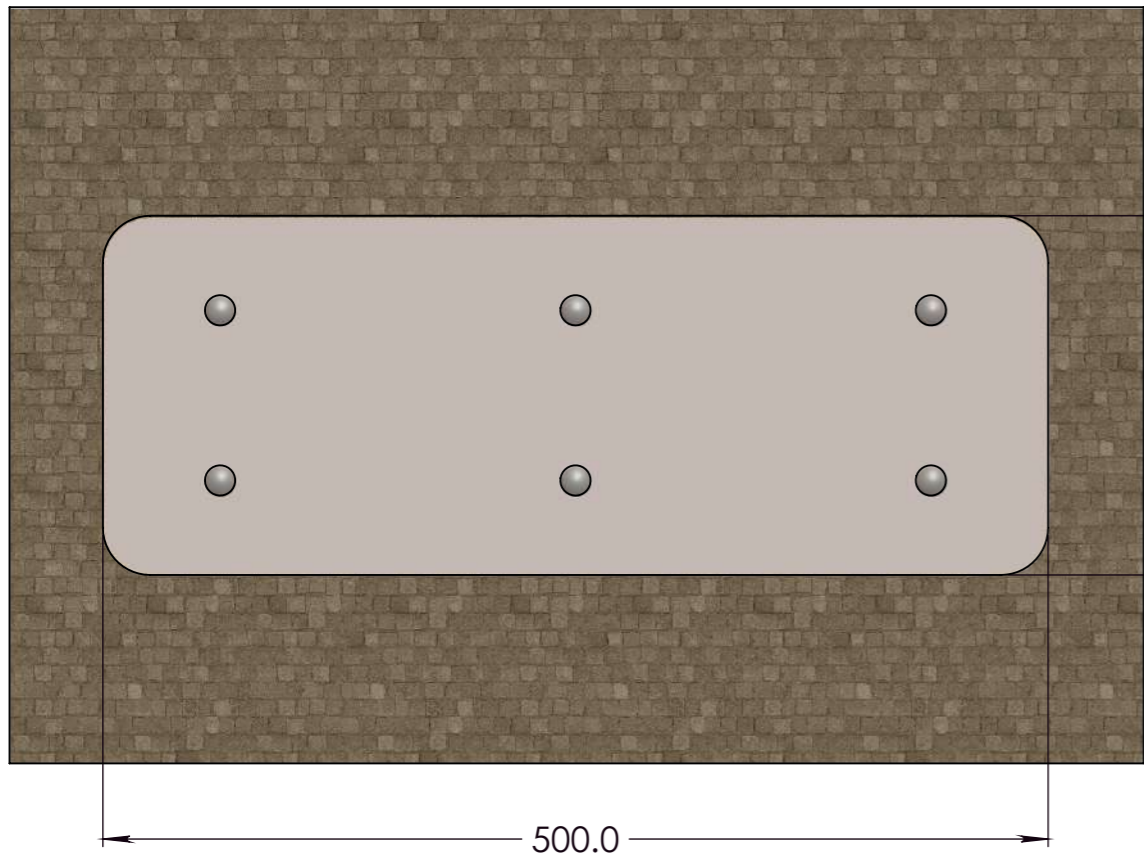
ALL DIMENSIONS IN MILLIMETERS UNLESS OTHERWISE STATED

\\192.168.1.1.196\RB-Drawings\CR\

Material : SEE BOM
Paint : NA
Plating : NA
Bend Deduction :
Tolerance Unless Stated: +/-0.2

ADDRESS ANY QUERIES TO DRAWING OFFICE. MULTIPLE SHEET DRAWINGS SHALL BE TREATED AS ONE DRAWING.
APPROVED DRAWINGS SHALL ONLY BE VALID IF ALL SHEETS ARE PRINTED.

Stud wall spreader space requirements.



The bottom face of item 2 shall be seated on the bath topmost surface to ensure correction operation of the Relaxa Unit

REV	DRAWN Date	CHK'D Date	APPR'D Date	DESCRIPTION
A	NxR 17/02/2020		NxR 17/02/2020	

THIS DOCUMENT IS THE PROPERTY OF RELAXA MOBILITY LTD
AND MUST NOT BE COPIED NOR DISCLOSED TO A THIRD PARTY
WITHOUT THE CONSENT OF RELAXA MOBILITY LTD



Relaxa REF: -

CUSTOMER REF:

DESCRIPTION:
Relaxa Stud Wall Mounting Details



Scale
NTS

DRAWING NUMBER:REL-BL-SW-MTG

Drawn By:
N.Ray

Revision
A

Current Approval :

Date Drawn:
17/02/2020

Sheet
2 OF 2

NxR
17/02/2020

ALL DIMENSIONS IN MILLIMETERS UNLESS OTHERWISE STATED

\\192.168.1.1.196\RB-Drawings\CR\